



**Art.-Nr: AIE401SC-E**

**Exit sign**

**Ceiling mounting, SelfControl, 1 h, 15 m, IP20, Zinc die-cast, Stainless steel**

The AIE is a zinc-diecast exit sign for recessed ceiling mounting and for the marking of escape routes. It is part of a complete luminaire series, which features solutions for every mounting situation and was honored with the German Design Award. Luminaires of the A-Series are equipped with modern LED illuminants and offer flexibility with changeable pictograms.

LED exit sign according to EN 60598-1, EN 60598-2-22, EN 7010 and EN 1838

Automatic monitoring of the emergency light with SelfControl.



More information

[www.rp-group.com/en/item/AIE401SC-E](http://www.rp-group.com/en/item/AIE401SC-E)



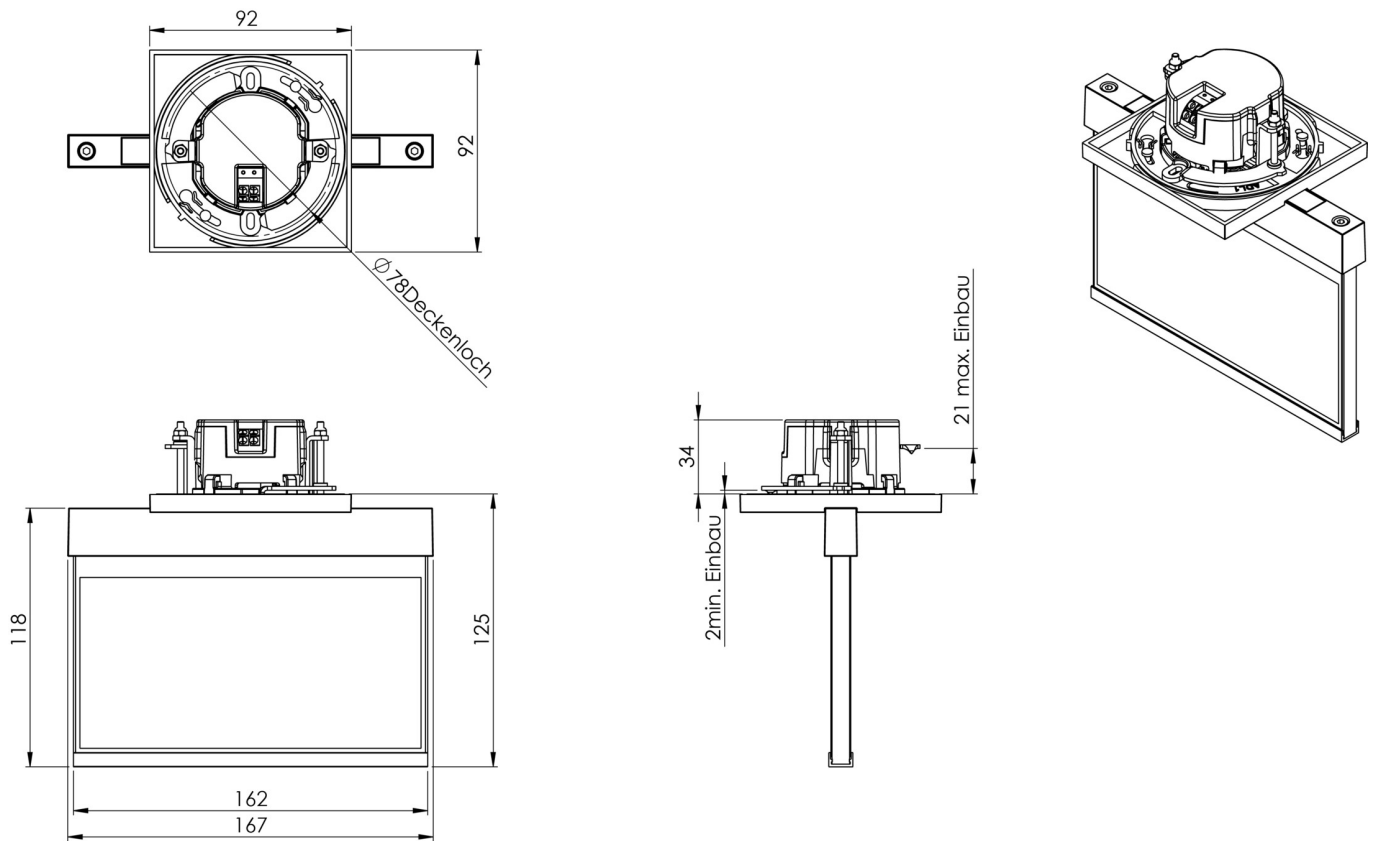
**TECHNICAL DATA**

Luminaire type	Exit sign
Mounting	Ceiling mounting
Recognition distance	15 m
Pictograph	Set
Illuminant	LED
Housing material	Zinc die-cast
Housing color	Stainless steel
Protection type (IP)	IP20
Impact resistance (IK)	≥ 3
Certification	WEEE, CE
Insulation class	2
Monitoring	SelfControl
Bridging time	1 h
Battery	6,4 V 1,2 Ah/
Power max.	3,5 W
Power DS	2,6 W
Power BS	0,9 W
Ambient temperature DS	-5 °C - 40 °C
Ambient temperature BS	-5 °C - 40 °C



Depth	92 mm
Width	167 mm
Height	159 mm
Installation dimensions Diameter	68 mm
Weight	0.65
Weight incl. packaging	0.9
Customs tariff number	94056180
EAN	4260766554230

## TECHNICAL DRAWING



As of: 04.09.2024 - Subject to technical changes and errors.